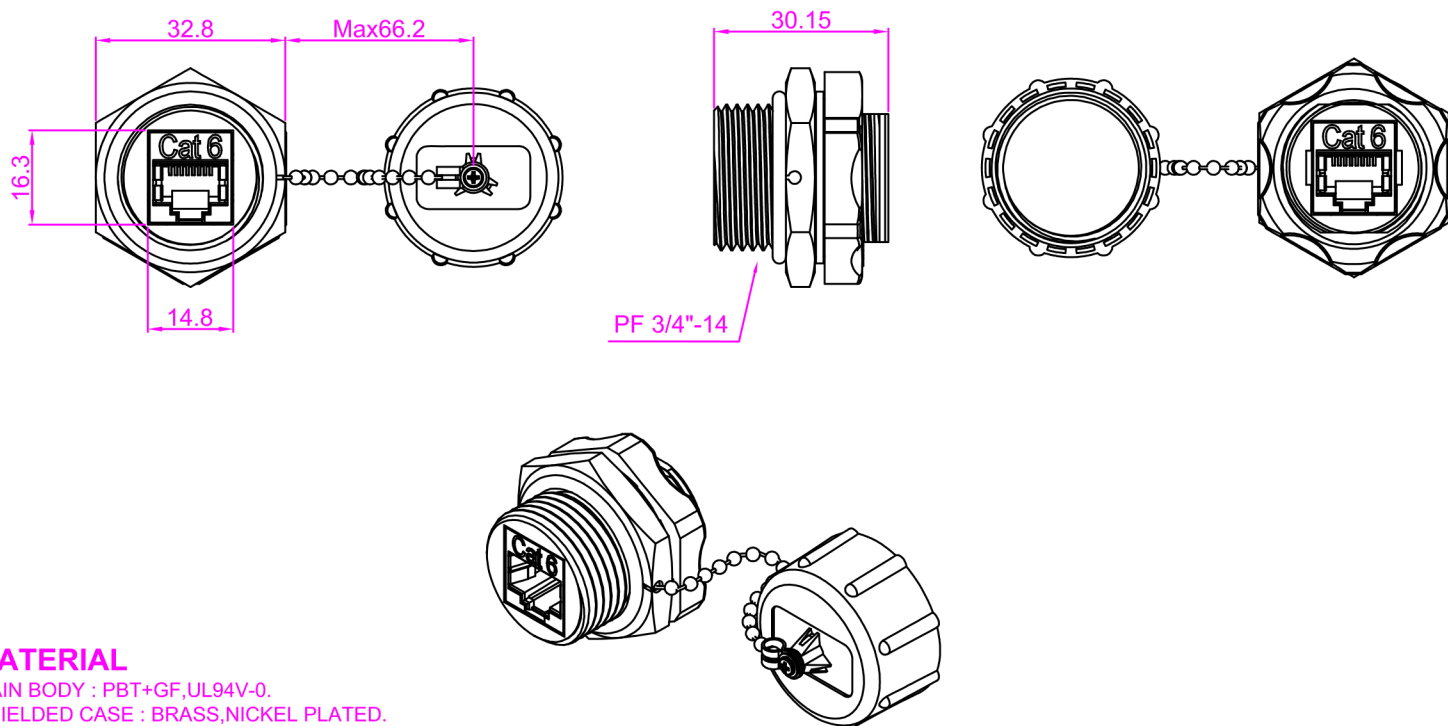


REVISION INFORMATION			
Rev.	Rev. Date	Modified By	Brief Description



**MATERIAL**

MAIN BODY : PBT+GF,UL94V-0.  
 SHIELDED CASE : BRASS,NICKEL PLATED.  
 COUPLER HOUSING : ABS,UL94V-0.  
 JACK CONTACTS : PHOSPHOR BRONZE,50U" GOLD PLATED.

**PHYSICAL CHARACTERISTICS**

INSERTION LIFE : 750 MATING CYCLES WITH FCC COMPLIANT 8P PLUG.  
 CONTACT FORCE : 100 GRAMS WITH FCC COMPLIANT 8P PLUG.  
 PLUG RETENTION FORCE : 11 LBF MIN.  
 OPERATING TEMPERATURE RANGE : -10 C TO 60 C.  
 STORAGE TEMPERATURE RANGE : -40 C TO 68 C.  
 HUMIDITY : 10%~90%RH.

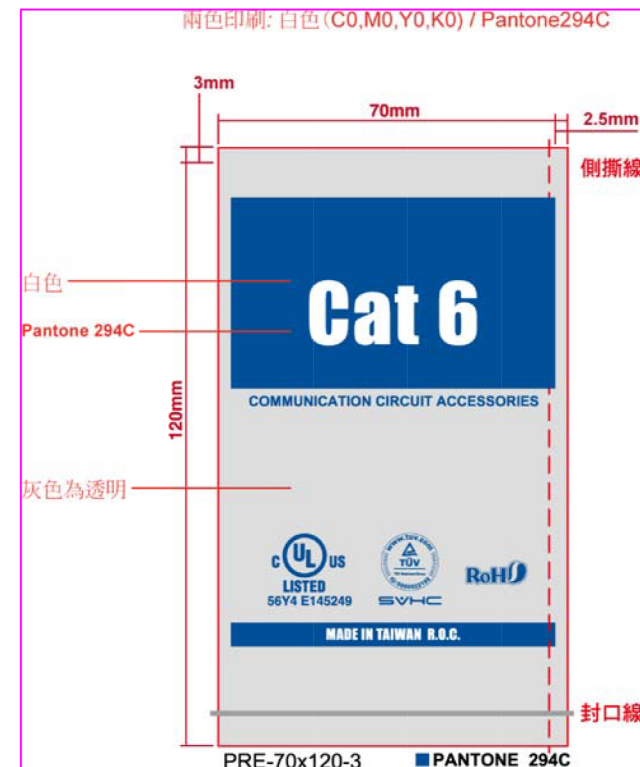
**ELECTRICAL**

INSULATION RESISTANCE : 500 MΩ.  
 DIELECTRIC WITHSTANDING VOLTAGE : 1000 V AC.  
 DC CURRENT RATING : 1.5 Amps.  
 DC RESISTANCE : 0.1Ω.  
 CONTACT RESISTANCE : 20mΩ.

ACCORDING TO: ANSI/TIA-568-C.2  
 ISO/IEC 11801 2nd Edition  
 IEC 60603-7

**IP67**

ACCORDING TO IEC 60529:2001-02  
 Degrees of Protection Provided by Enclosures  
 6: Dust-tight  
 7: Protected from immersion in water for 30 minutes at a depth of 1 meter.



**Cat 6**  
 56Y4  
 E145249



<b>Show Me</b> CABLES an INFINIT® brand			
DRAWN BY WJH	DATE: 2014/11/25	Title: Cat6 RJ45 Shielded Industrial Panelmount Bulkhead Coupler with Dust Cap	
CHECKED BY	SHEET 1 of 1	Part No: 15-615-002 BK	
APPROVED BY	SCALE 1:2	REV. 00	UNIT: mm

NO.	PART NAME	SPECIFICATION DESCRIPTION	QTY	UNIT
③				
②				
①				